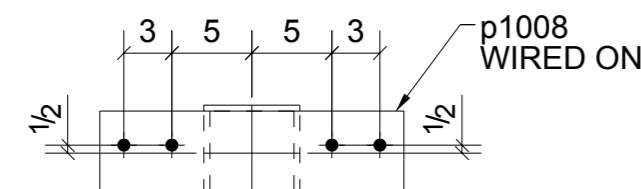


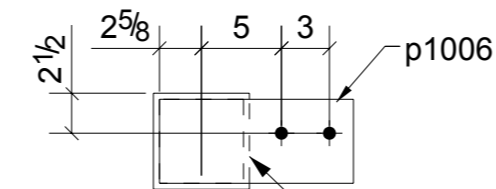
GRID LOCATION	
104C2	9.5/A.3
104C1	10.1/A.3

BILL OF MATERIAL

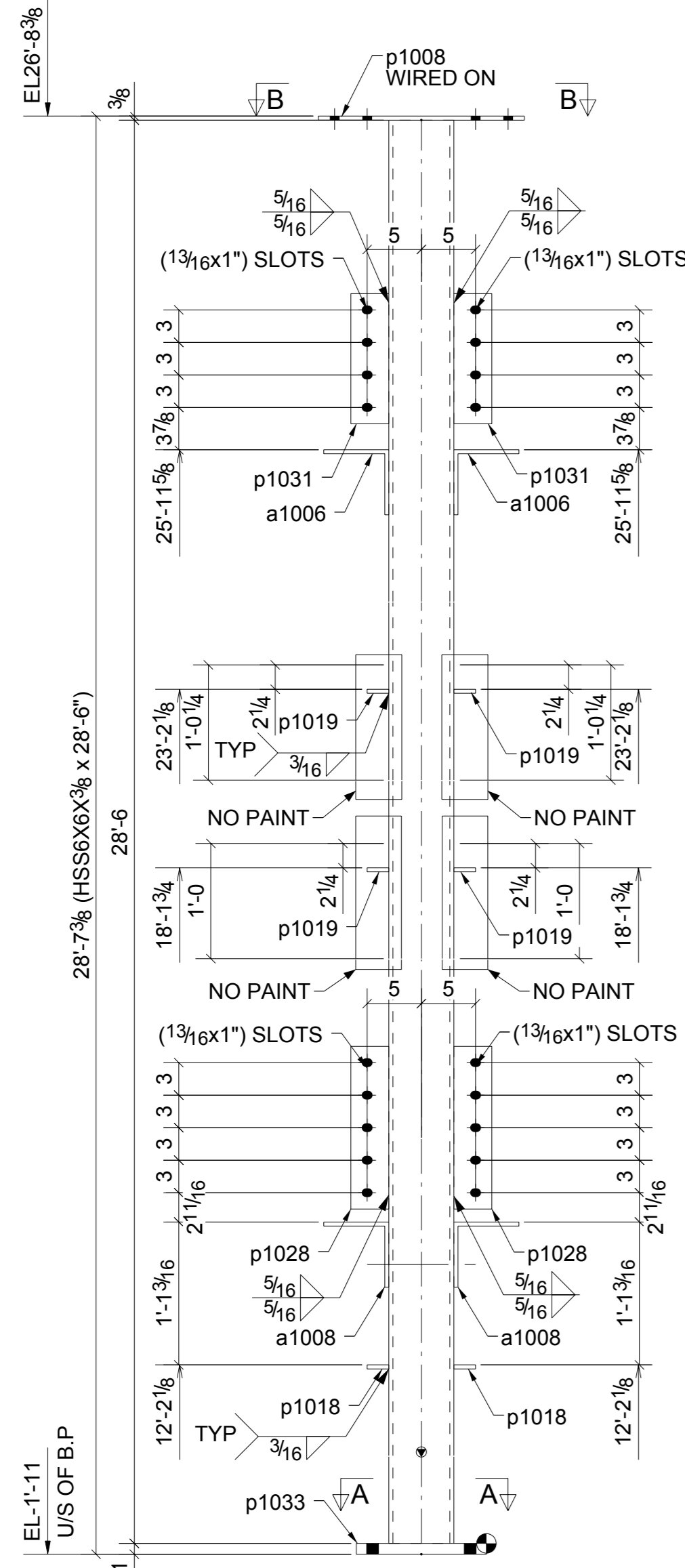
SHIP MARK	PIECE MARK	QTY	DESCRIPTION	LENGTH	REMARKS
104C1		1	HSS6X6X3/8	28'-6"	A500-GR.B
	a1006	2	L6X6X3/8	0'-7"	A36
	a1008	2	L6X6X3/8	0'-5"	A36
	p1008	1	FL3/8"X5 1/4"	1'-7"	A36
	p1018	2	FL3/8"X2"	0'-4 1/2"	A36
	p1019	4	FL3/8"X2"	0'-6 1/2"	A36
	p1028	2	FL3/8"X3 1/2"	1'-3"	A36
	p1031	2	FL3/8"X3 1/2"	1'-0"	A36
	p1033	1	FL1"X12"	1'-0"	A36
104C2		1	HSS6X6X3/8	28'-6"	A500-GR.B
	a1003	2	L6X6X3/8	0'-6"	A36
	a1006	1	L6X6X3/8	0'-7"	A36
	a1008	1	L6X6X3/8	0'-5"	A36
	p1006	1	FL3/8"X5 1/4"	1'-0 1/8"	A36
	p1018	1	FL3/8"X2"	0'-4 1/2"	A36
	p1019	2	FL3/8"X2"	0'-6 1/2"	A36
	p1024	3	FL3/8"X3 1/2"	0'-9"	A36
	p1025	1	FL3/8"X3 1/2"	0'-11"	A36
	p1028	1	FL3/8"X3 1/2"	1'-3"	A36
	p1031	1	FL3/8"X3 1/2"	1'-0"	A36
	p1033	1	FL1"X12"	1'-0"	A36



SECTION B - B

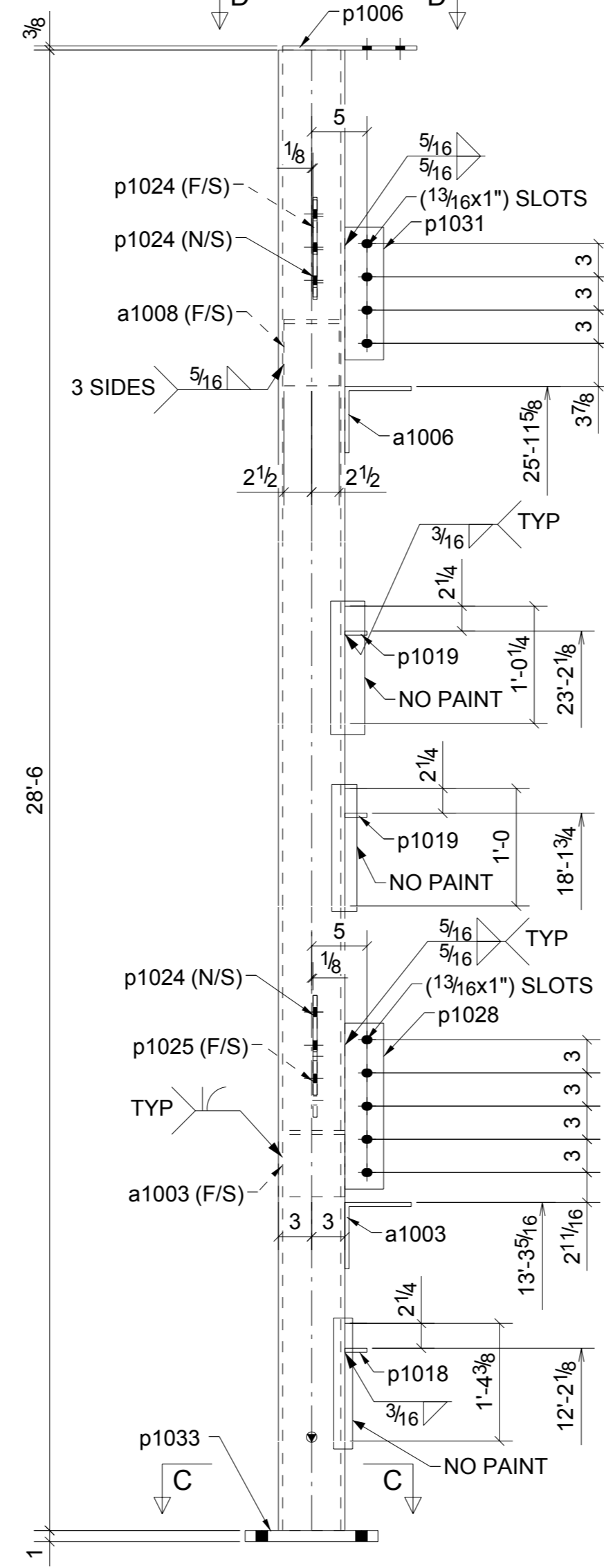


SECTION D - D



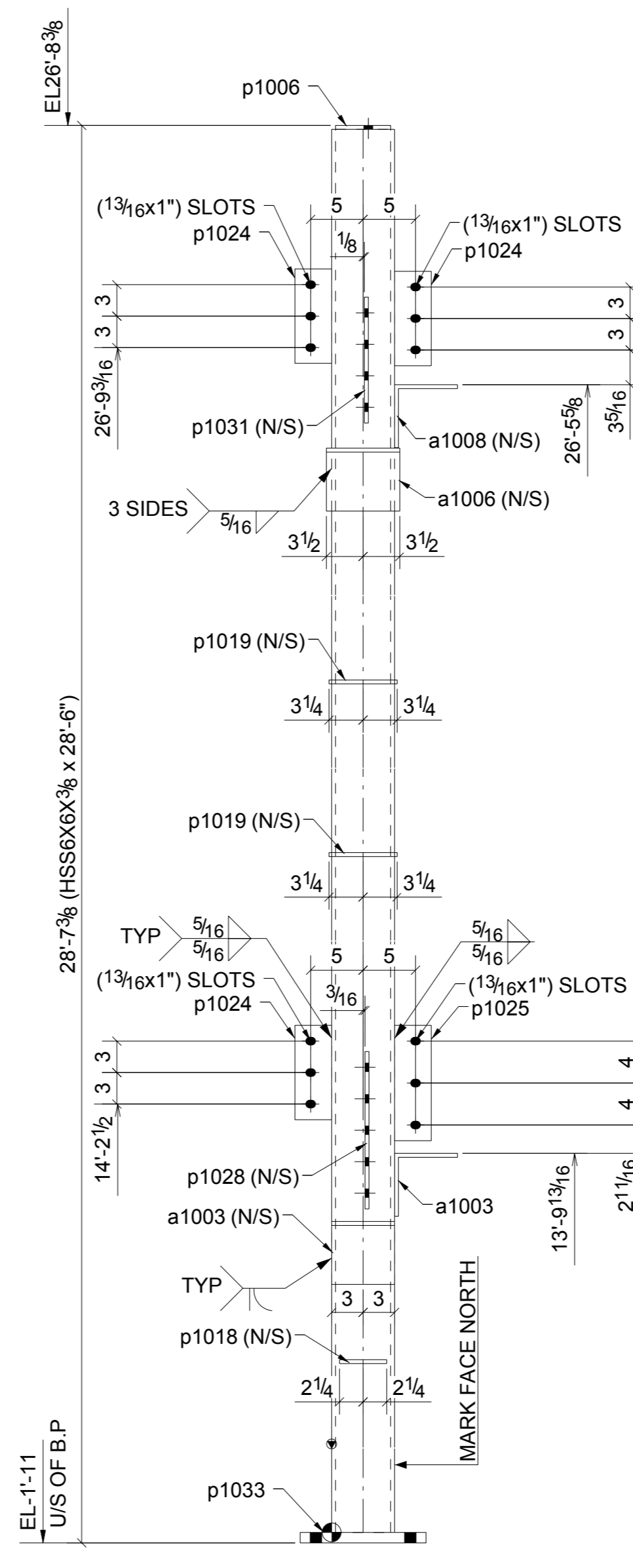
SECTION A - A

1 - COLUMN - 104C1



SECTION C - C

1 - COLUMN - 104C2



▼ DENOTES MARK END

SHOP NOTES	REVISIONS	CLIENT NAME
HOLES- 13/16" U.N.O.	12/07/11	
PAINT- ONE SC STD PRIMER		
SURFACE PREP. - SSPC-SP2		
WELD RODS- E70XX		JOB NAME :
MATERIAL A36 (U.N.O) ALL 'W' SHAPES A992 TUBE A500 GR B		CUSTOMER :
		MADE BY : _____ DATE : _____ ORD. NO. : _____
		CHK'D BY : _____ DATE : _____ DWG. NO. : _____