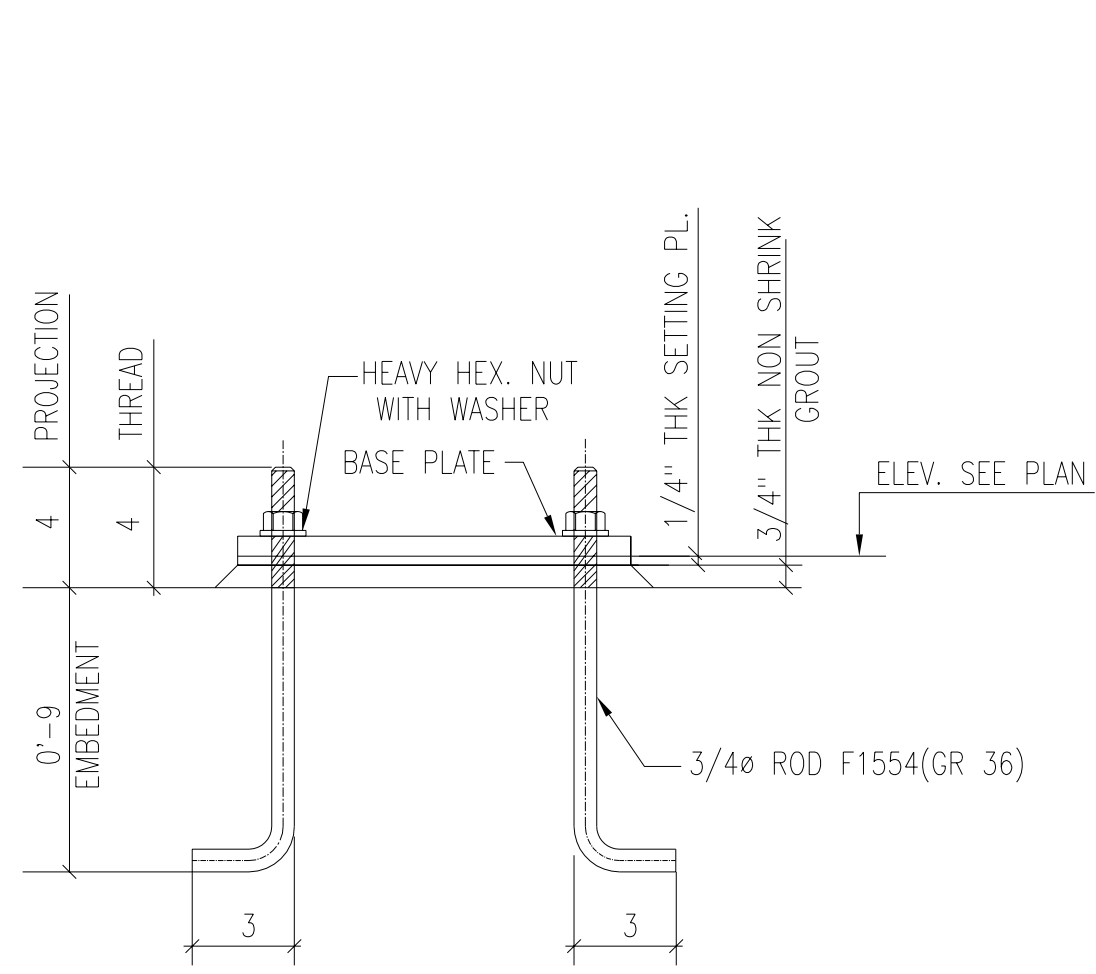
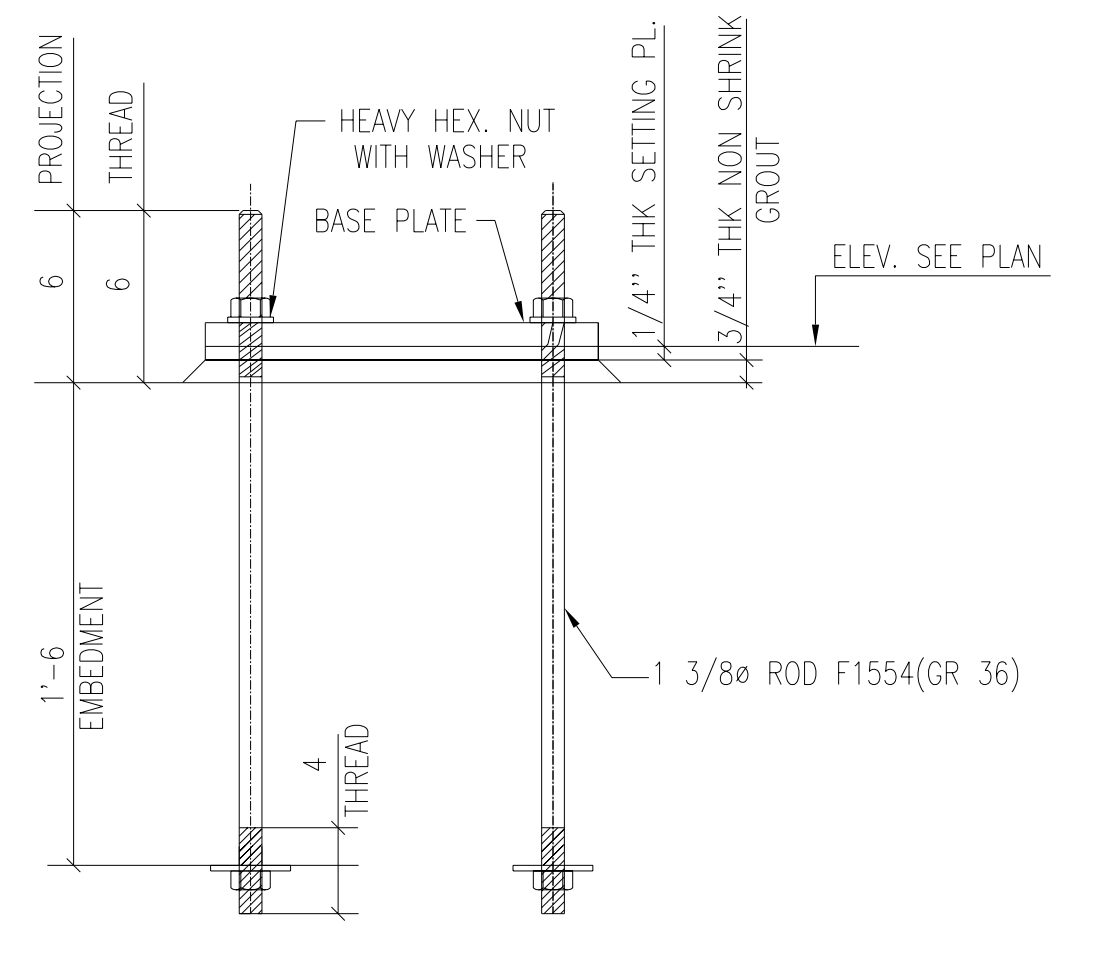


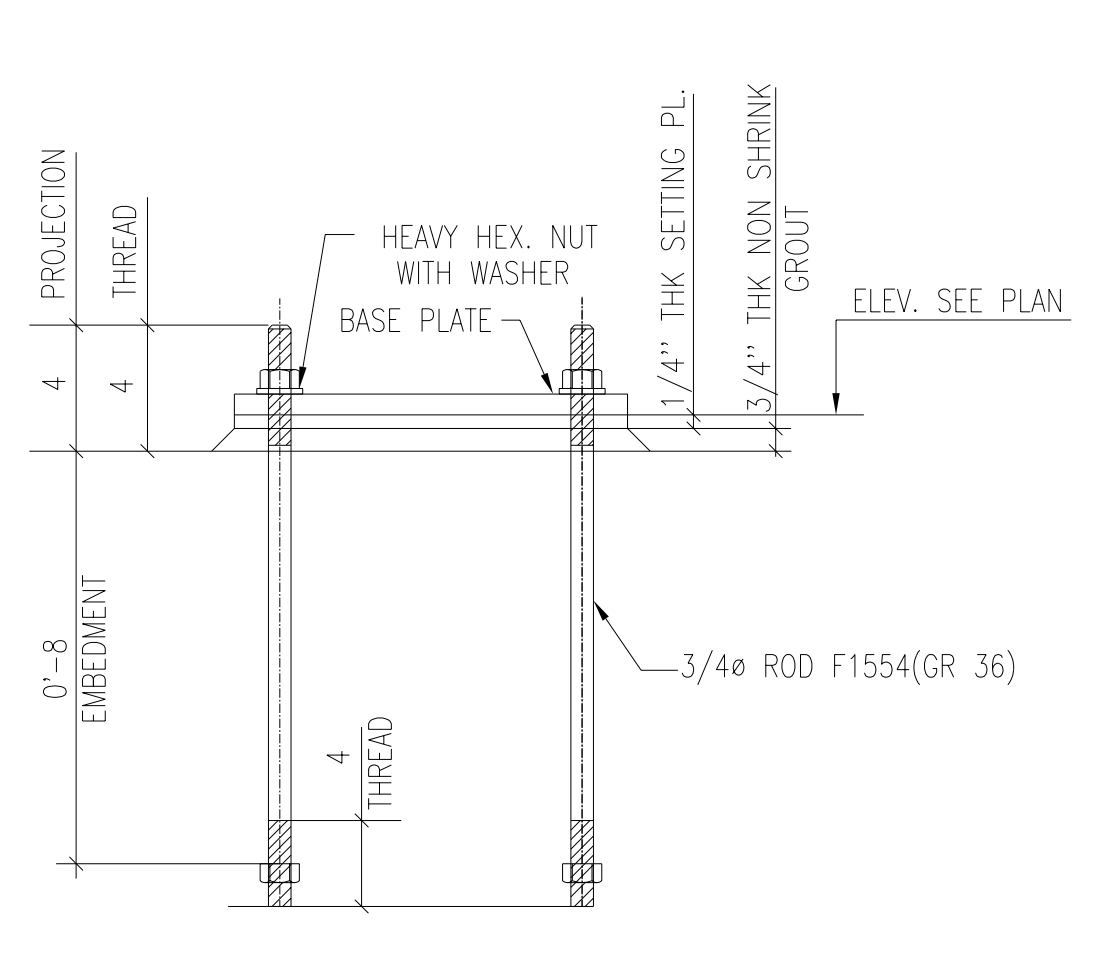
ANCHOR BOLT SETTING PLAN FOR SEQ#2
 1. BOTTOM OF BASE PLATE EL. -1'-11" U.N.O.
 REFERRED FROM DATUM LEVEL 0'-0"



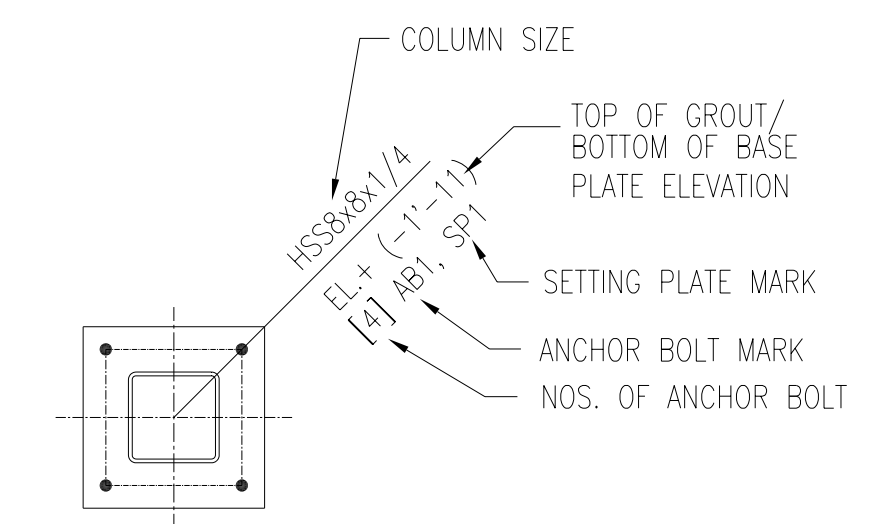
ANCHOR SETTING DETAIL AB1
 (FOR 3/4" Ø ANCHOR ROD)



ANCHOR SETTING DETAIL AB2
 (FOR 3/8" Ø ANCHOR ROD)



ANCHOR SETTING DETAIL AB3
 (FOR 3/4" Ø ANCHOR ROD)



KEY DETAIL

*** VERIFY ANCHORS LAYOUT AND BASE PLATE EL.**
NOTE:-
 1 ALL COLUMNS BASE PLATES CONSIDERED TO BE RESTED ON FOOTINGS PLEASE VERIFY

▼ DENOTES MARK END

SHOP NOTES	REVISIONS
HOLES- 13/16" U.N.O.	12/07/11
PAINT- ONE SC STD PRIMER	
SURFACE PREP. - SSPC-SP2	
WELD RODS- E70XX	
MATERIAL A36 (U.N.O) ALL 'W' SHAPES A992 TUBE A500 GR B	

CLIENT NAME

JOB NAME : _____

CUSTOMER : RWS _____

MADE BY : _____ DATE : _____ ORD. NO. : _____

CHKD BY : _____ DATE : _____ DWG. NO. : _____