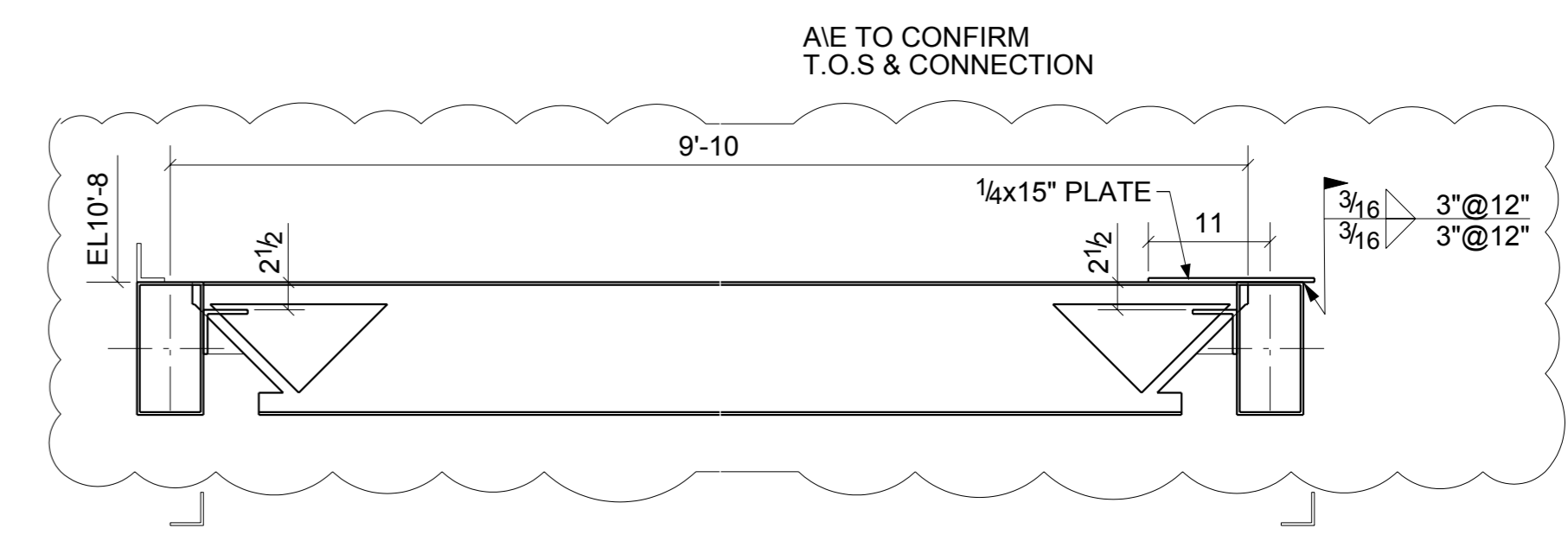
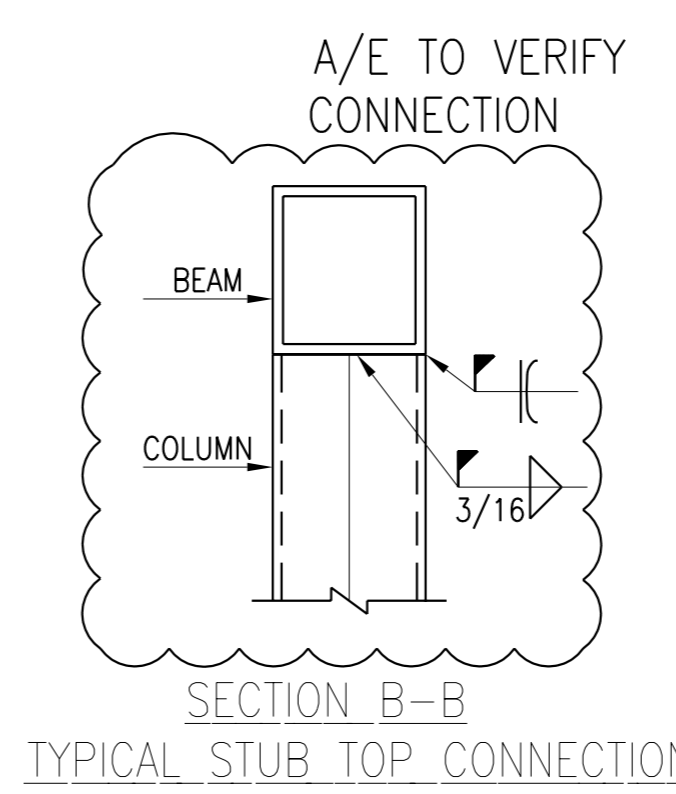
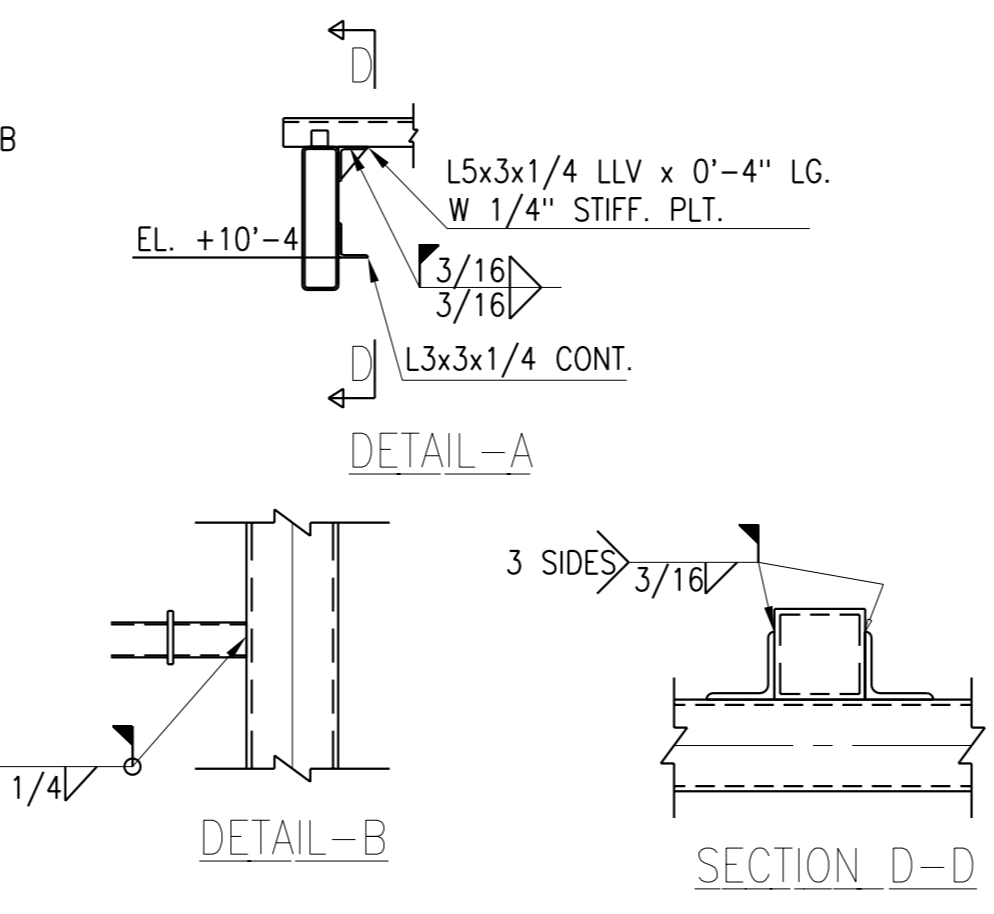
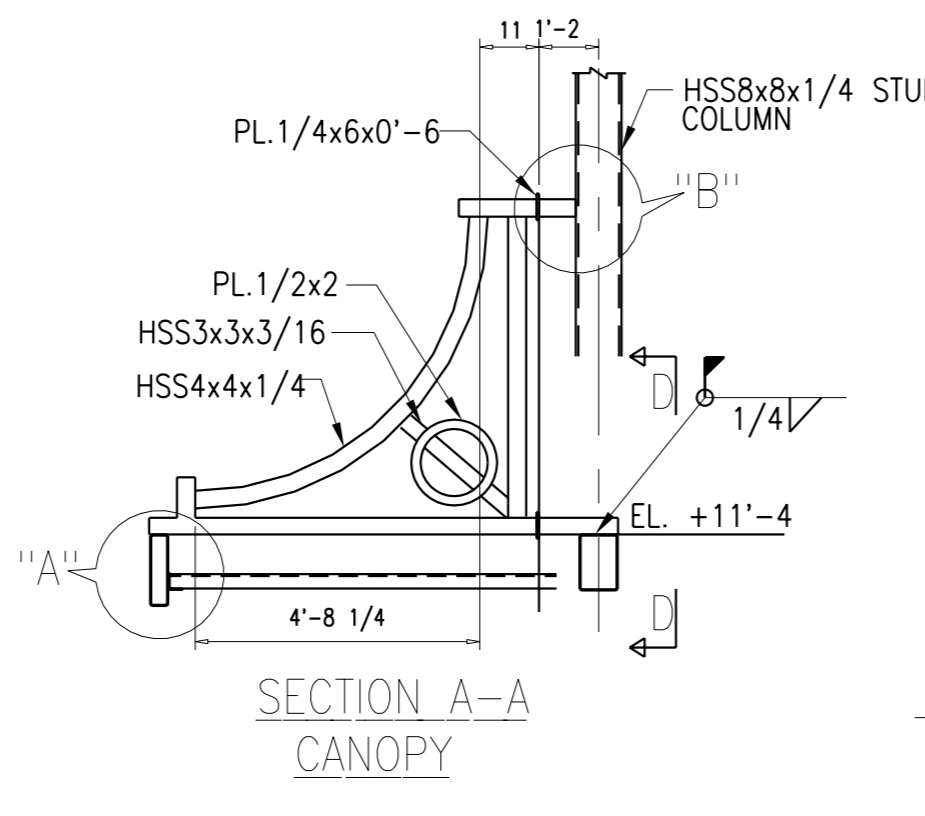
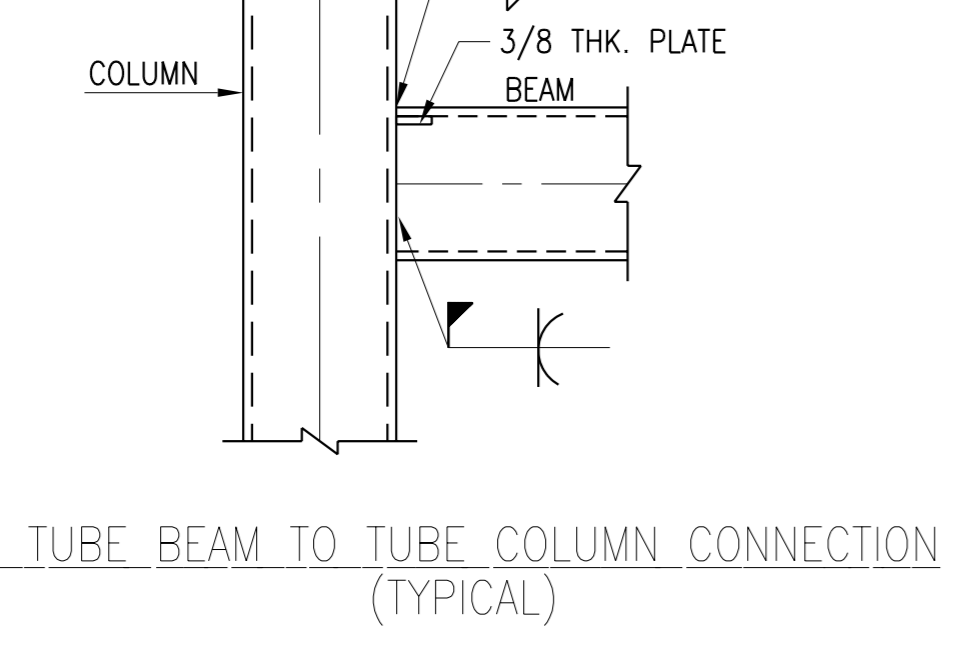
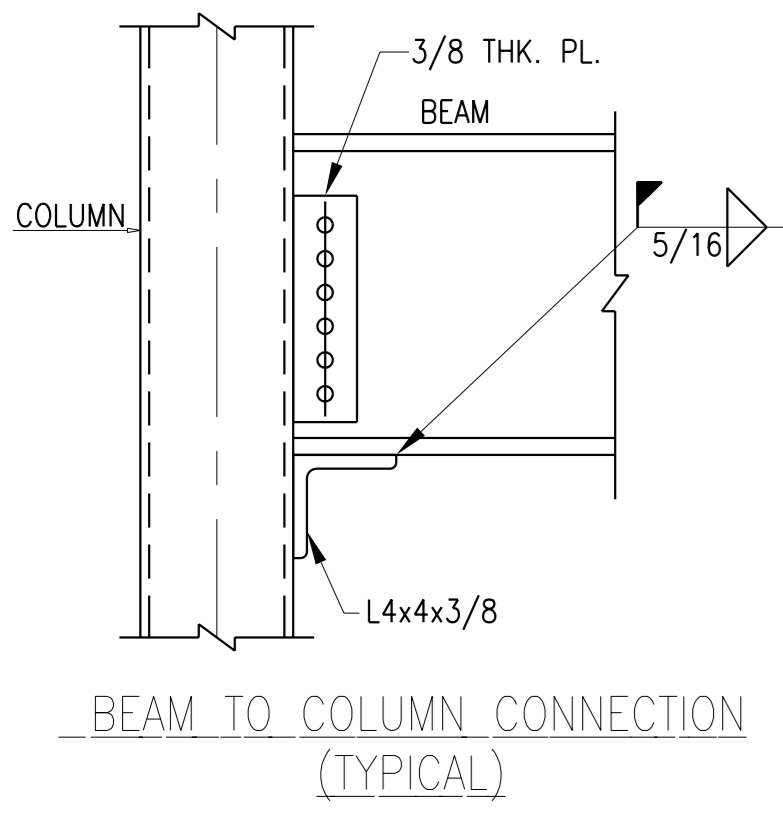


LOW FRAMING PLAN (SEQ#01)
(T.O.S EL. 13'-1 1/2 U.N.O)

▲ DENOTES MARK END
ALL BOLTS ARE 3/4" A325N U.N.O



- SECTION C - C**
- 1 A/E TO VERIFY T.O.S ELEVATION.
 - 2 A/E TO VERIFY OFFSET DISTANCE
 - 3 A/E TO VERIFY DIMENSION & OPENING SIZE.

▼ DENOTES MARK END

SHOP NOTES	REVISIONS	CLIENT NAME
HOLES- 13/16" U.N.O.	▲ 12/07/11	
PAINT- ONE SC STD PRIMER		
SURFACE PREP. - SSPC-SP2		
WELD RODS- E70XX		JOB NAME :
MATERIAL A36 (U.N.O) ALL 'W' SHAPES A992 TUBE A500 GR B		CUSTOMER :
		MADE BY : _____ DATE : _____ ORD. NO. : _____
		CHK'D BY : _____ DATE : _____ DWG. NO. : _____