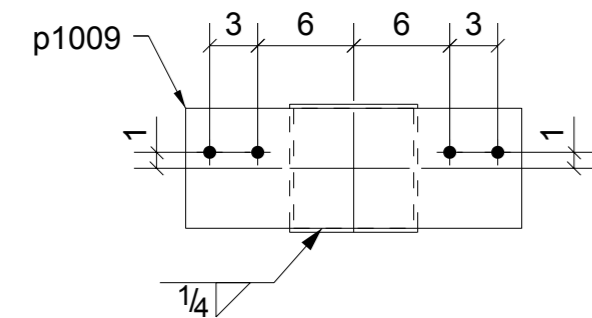


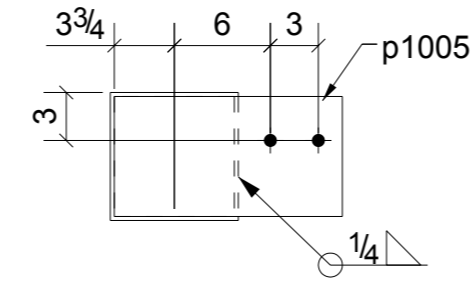
GRID LOCATION	
106C2	11/A.4-A
106C1	11.1/A.4
106C1	11.2/A.4

BILL OF MATERIAL

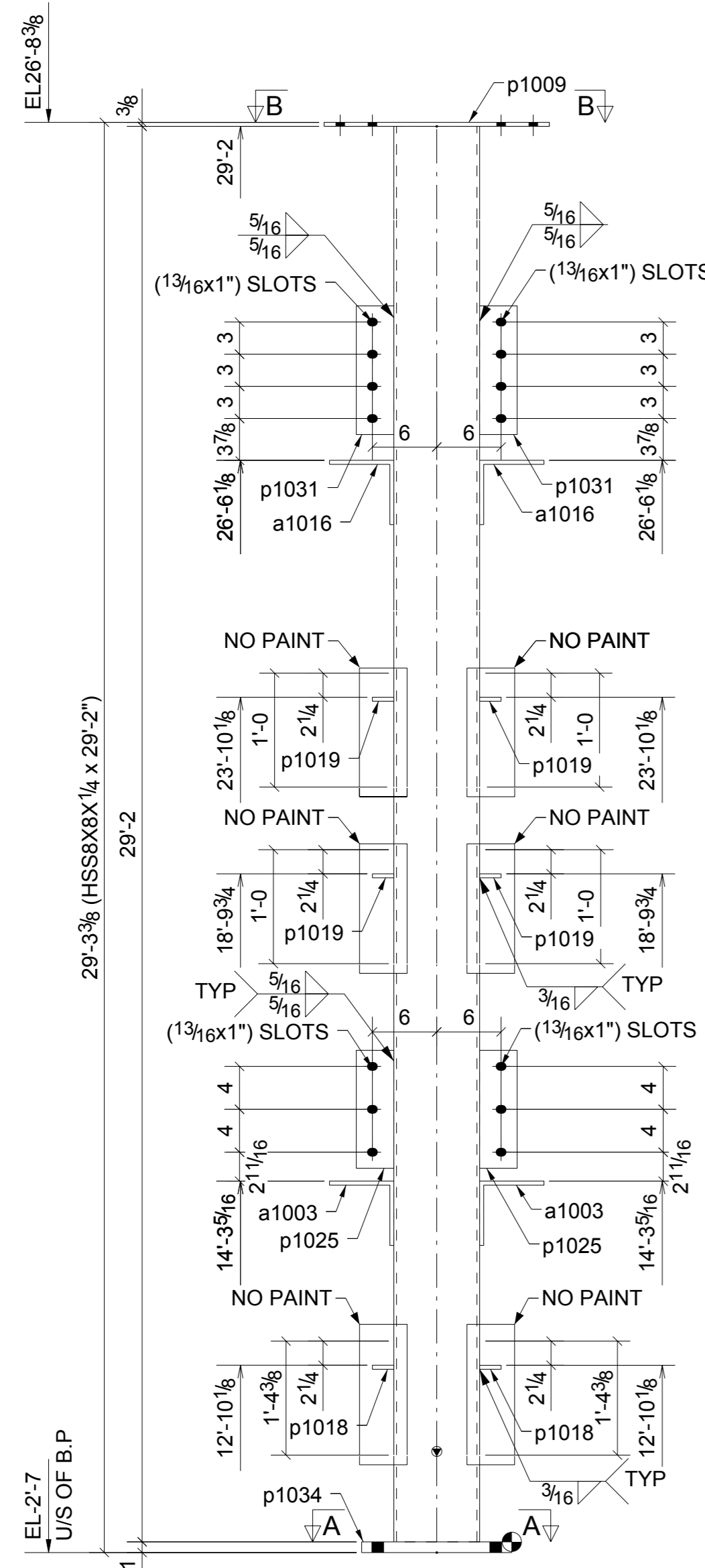
SHIP MARK	PIECE MARK	QTY	DESCRIPTION	LENGTH	REMARKS
106C1		2	HSS8X8X1/4	29'-2"	A500-GR.B
	a1003	4	L6X6X3/8	0'-6"	A36
	a1016	4	L6X6X3/8	0'-6 1/4"	A36
	p1009	2	FL3/8"X7 1/2"	1'-9"	A36
	p1018	4	FL3/8"X2"	0'-4 1/2"	A36
	p1019	8	FL3/8"X2"	0'-6 1/2"	A36
	p1025	4	FL3/8"X3 1/2"	0'-11"	A36
	p1031	4	FL3/8"X3 1/2"	1'-0"	A36
	p1034	2	PL1"X14"	1'-2"	A36
106C2		1	HSS8X8X1/4	29'-2"	A500-GR.B
	a1003	1	L6X6X3/8	0'-6"	A36
	a1016	1	L6X6X3/8	0'-6 1/4"	A36
	p1005	1	FL3/8"X7 1/2"	1'-2 1/4"	A36
	p1018	1	FL3/8"X2"	0'-4 1/2"	A36
	p1019	2	FL3/8"X2"	0'-6 1/2"	A36
	p1025	1	FL3/8"X3 1/2"	0'-11"	A36
	p1031	1	FL3/8"X3 1/2"	1'-0"	A36
	p1034	1	PL1"X14"	1'-2"	A36



SECTION B - B

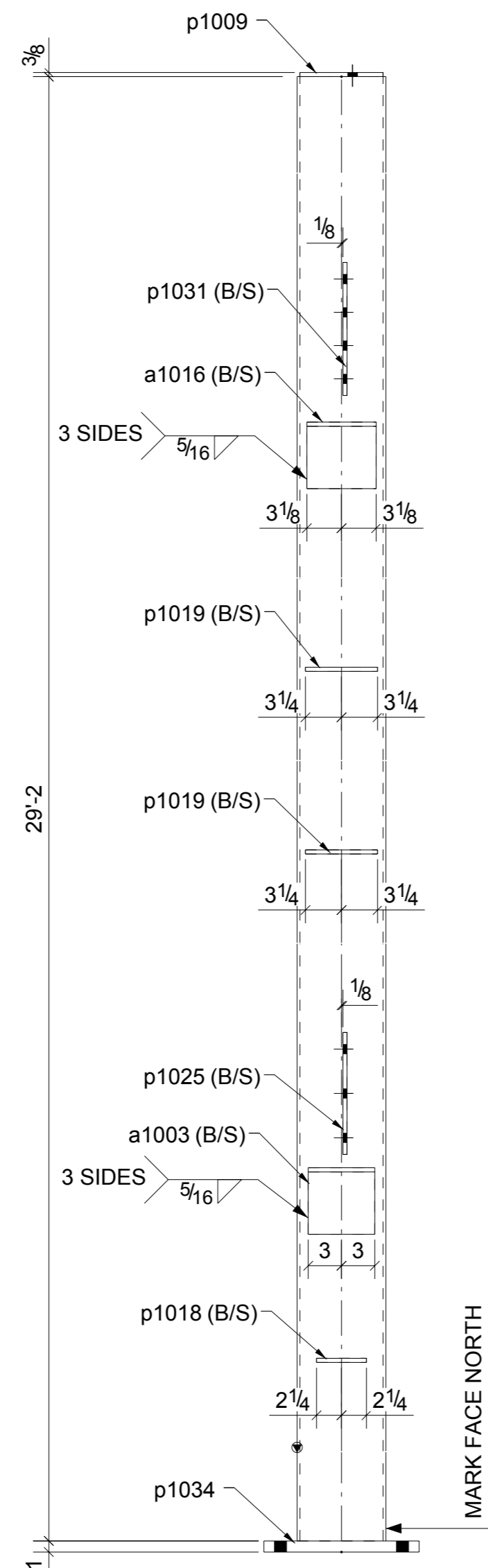


SECTION D - D



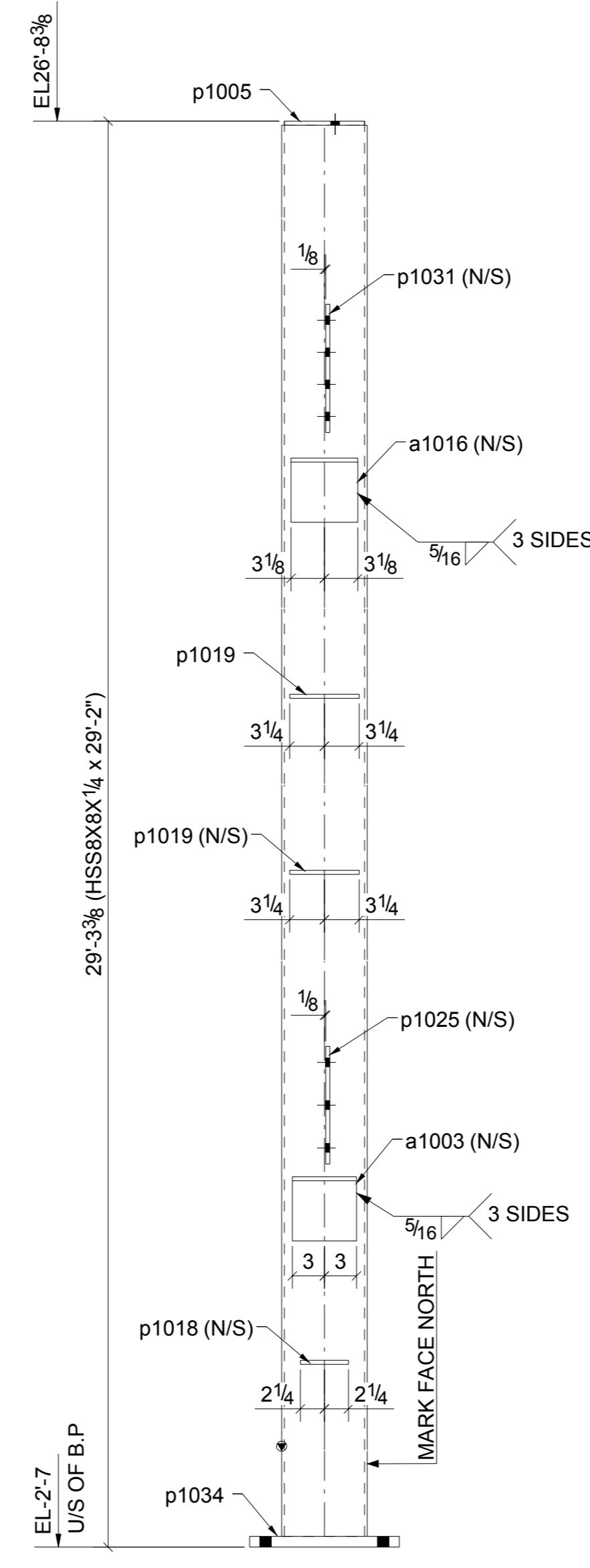
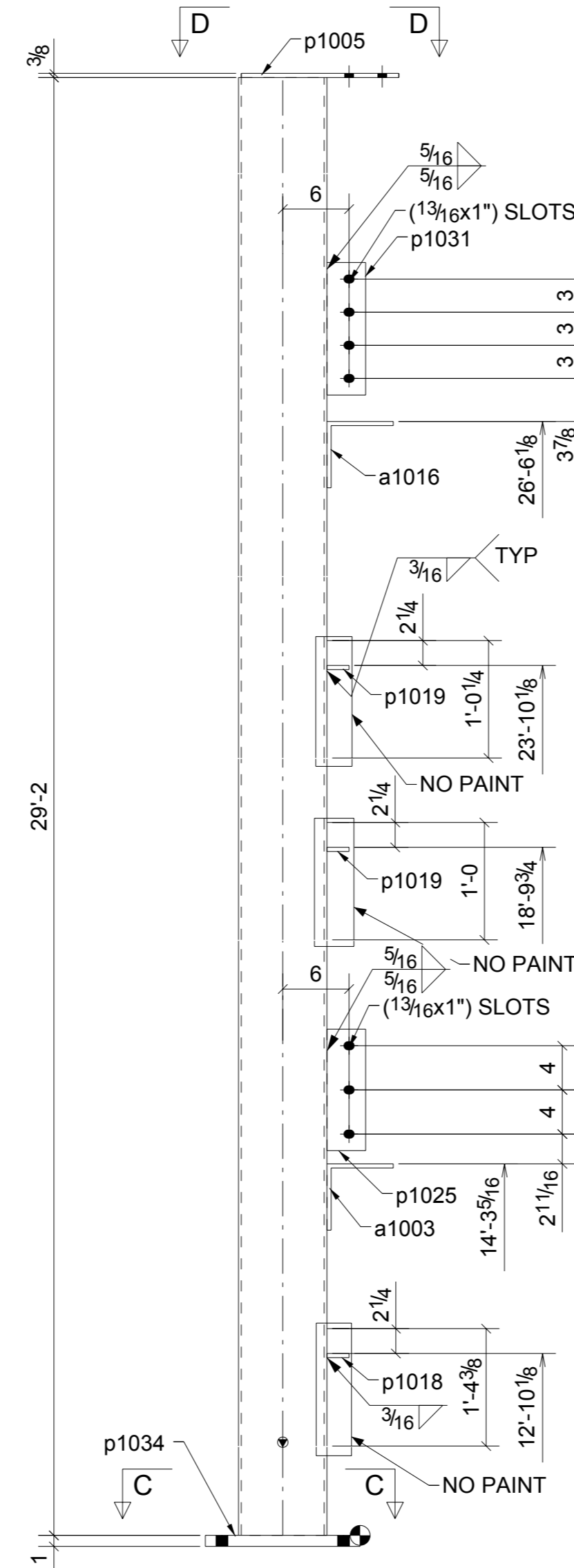
SECTION A - A

2 - COLUMN - 106C1



SECTION C - C

1 - COLUMN - 106C2



▼ DENOTES MARK END

SHOP NOTES	REVISIONS	CLIENT NAME
HOLES- 13/16" U.N.O.	△ 12/07/11	
PAINT- ONE SC STD PRIMER		
SURFACE PREP. - SSPC-SP2		
WELD RODS- E70XX		JOB NAME :
MATERIAL A36 (U.N.O) ALL 'W' SHAPES A992 TUBE A500 GR B		CUSTOMER :
		MADE BY : _____ DATE : _____ ORD. NO. : _____
		CHK'D BY : _____ DATE : _____ DWG. NO. : _____