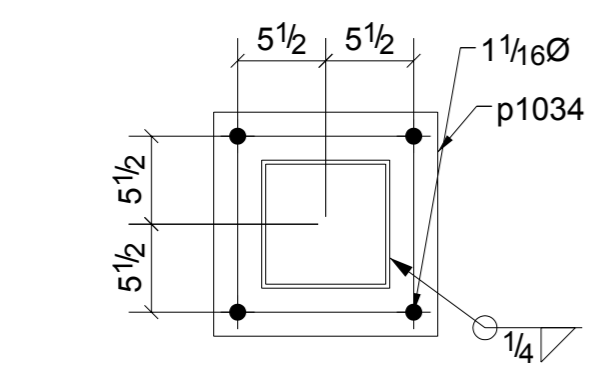
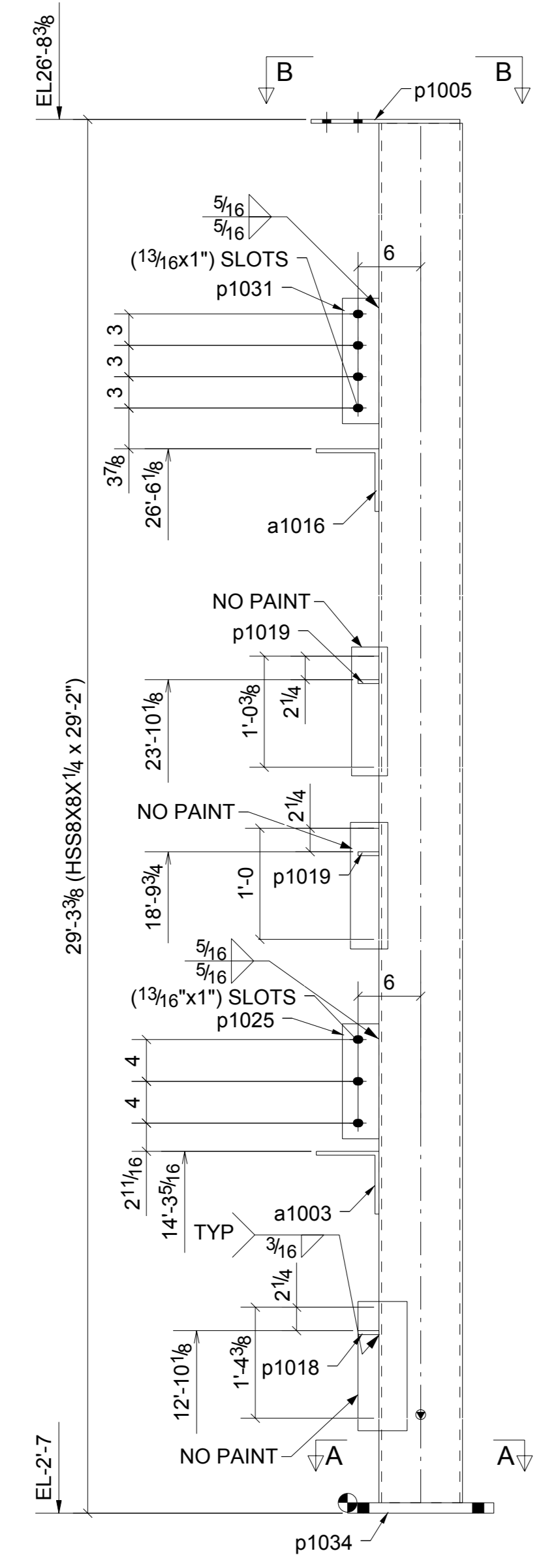
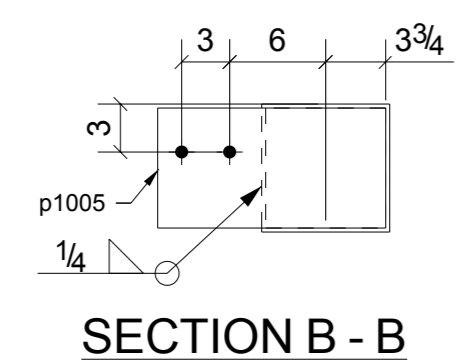


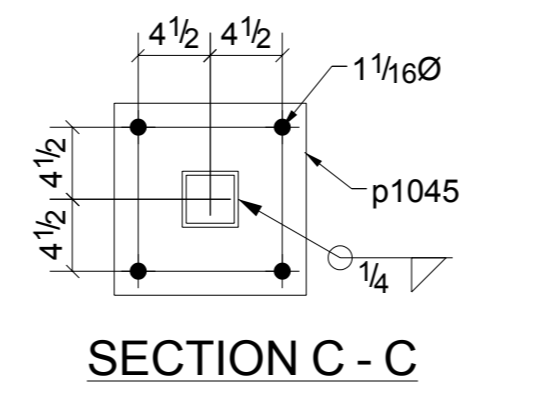
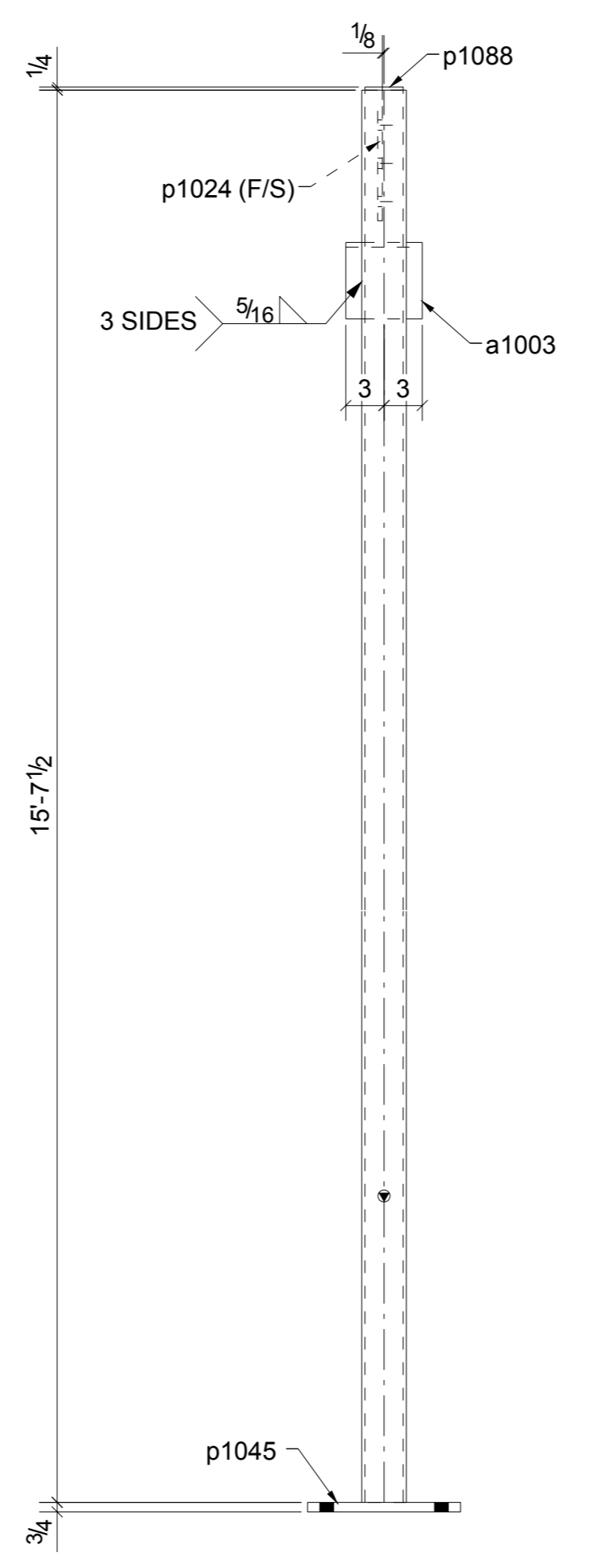
GRID LOCATION	
107C2	11.6/A.6
107C1	11.4/A.4

BILL OF MATERIAL

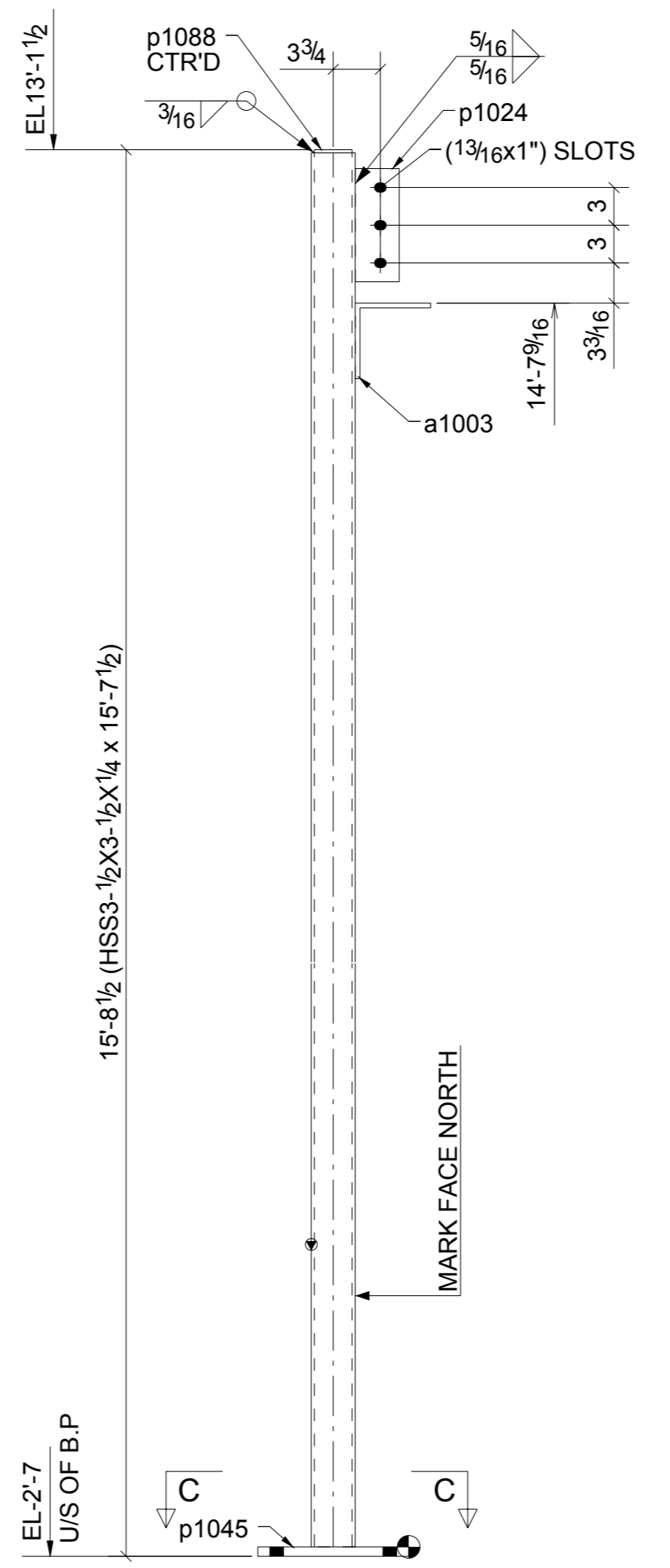
SHIP MARK	PIECE MARK	QTY	DESCRIPTION	LENGTH	REMARKS
		1	HSS8X8X1/4	29'-2"	A500-GR.B
	a1003	1	L6X6X3/8	0'-6"	A36
	a1016	1	L6X6X3/8	0'-6 1/4"	A36
	p1005	1	FL3/8"X7 1/2"	1'-2 1/4"	A36
	p1018	1	FL3/8"X2"	0'-4 1/2"	A36
	p1019	2	FL3/8"X2"	0'-6 1/2"	A36
	p1025	1	FL3/8"X3 1/2"	0'-11"	A36
	p1031	1	FL3/8"X3 1/2"	1'-0"	A36
	p1034	1	PL1"X14"	1'-2"	A36
		1	HSS3-1/2X3-1/2X1/4	15'-7 1/2"	A500-GR.B
	a1003	1	L6X6X3/8	0'-6"	A36
	p1024	1	FL3/8"X3 1/2"	0'-9"	A36
	p1045	1	FL3/4"X12"	1'-0"	A36
	p1088	1	FL1/4"X3"	0'-3"	A36



1 - COLUMN - 107C1



1 - COLUMN - 107C2



▼ DENOTES MARK END

SHOP NOTES	REVISIONS	CLIENT NAME
HOLES- 13/16" U.N.O. PAINT- ONE SC STD PRIMER SURFACE PREP. - SSPC-SP2	12/07/11	
WELD RODS- E70XX MATERIAL A36 (U.N.O) ALL "W" SHAPES A992 TUBE A500 GR B		JOB NAME : _____ CUSTOMER : _____ MADE BY : _____ DATE : _____ ORD. NO. : _____ CHK'D BY : _____ DATE : _____ DWG. NO. : _____