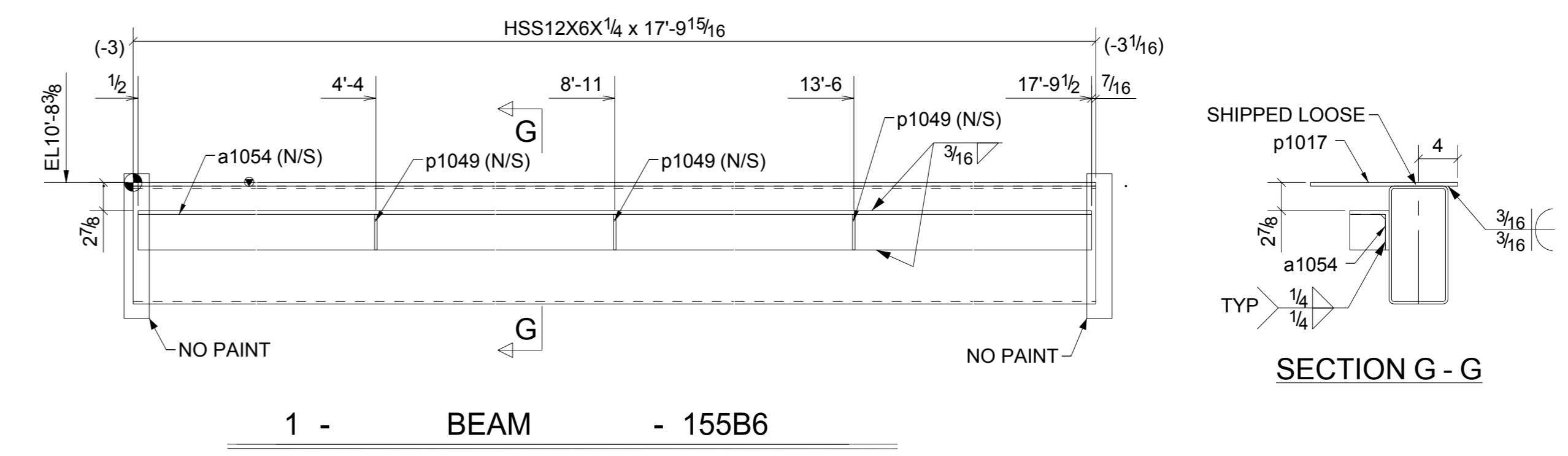
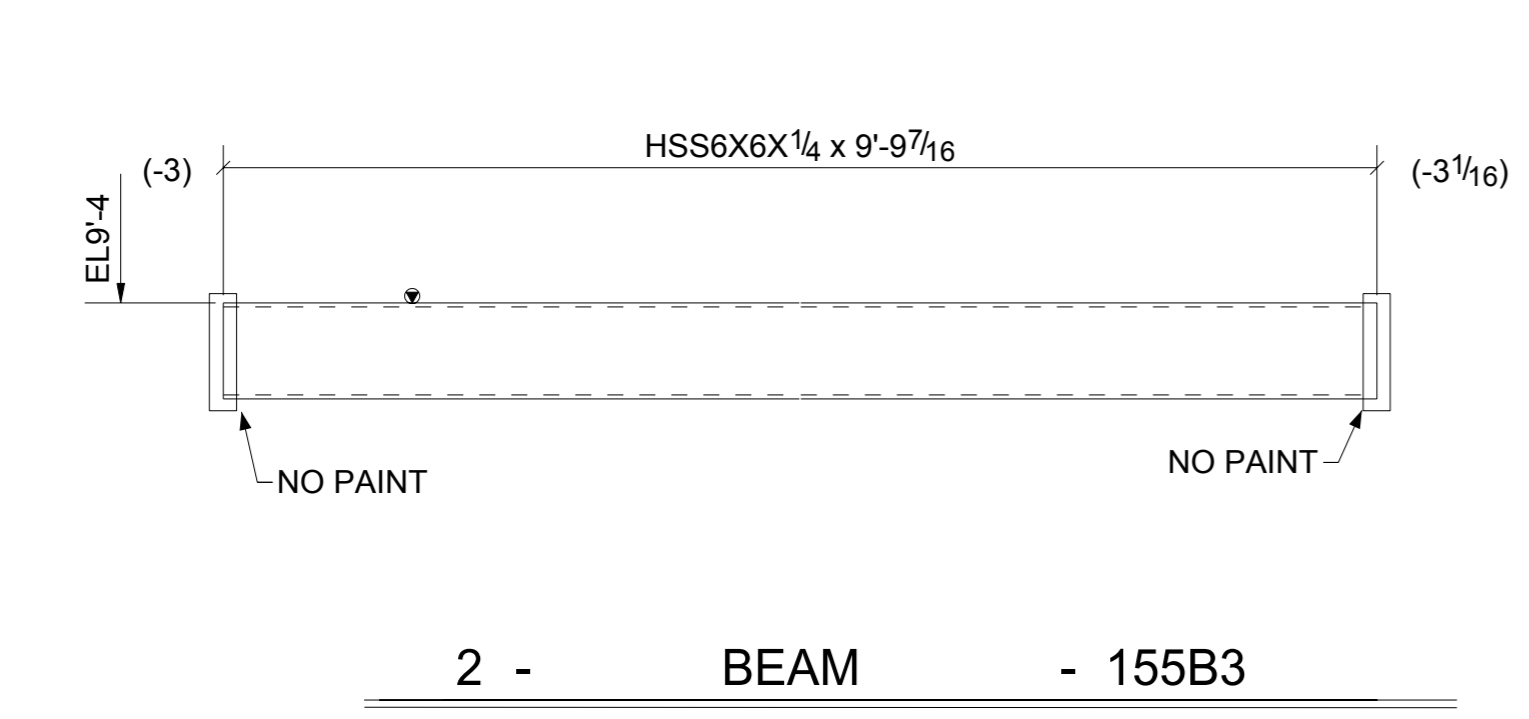
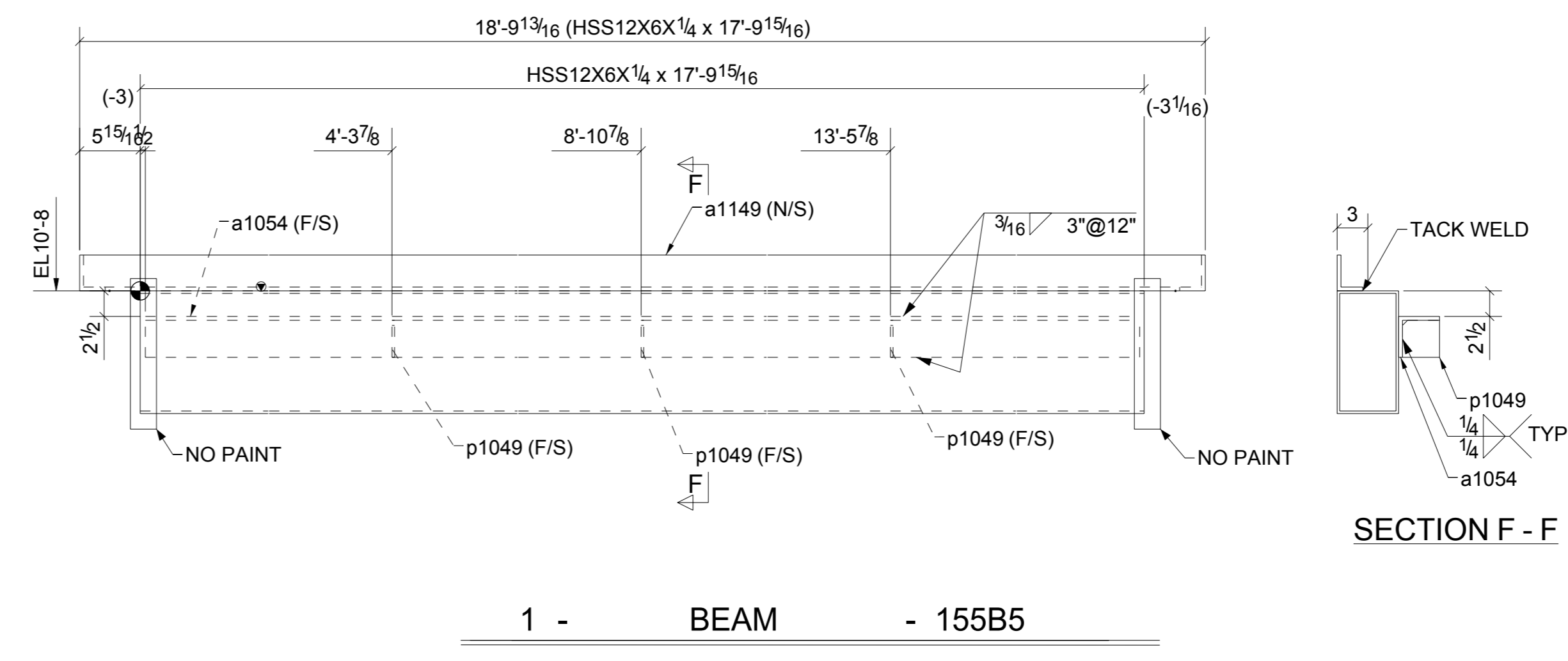
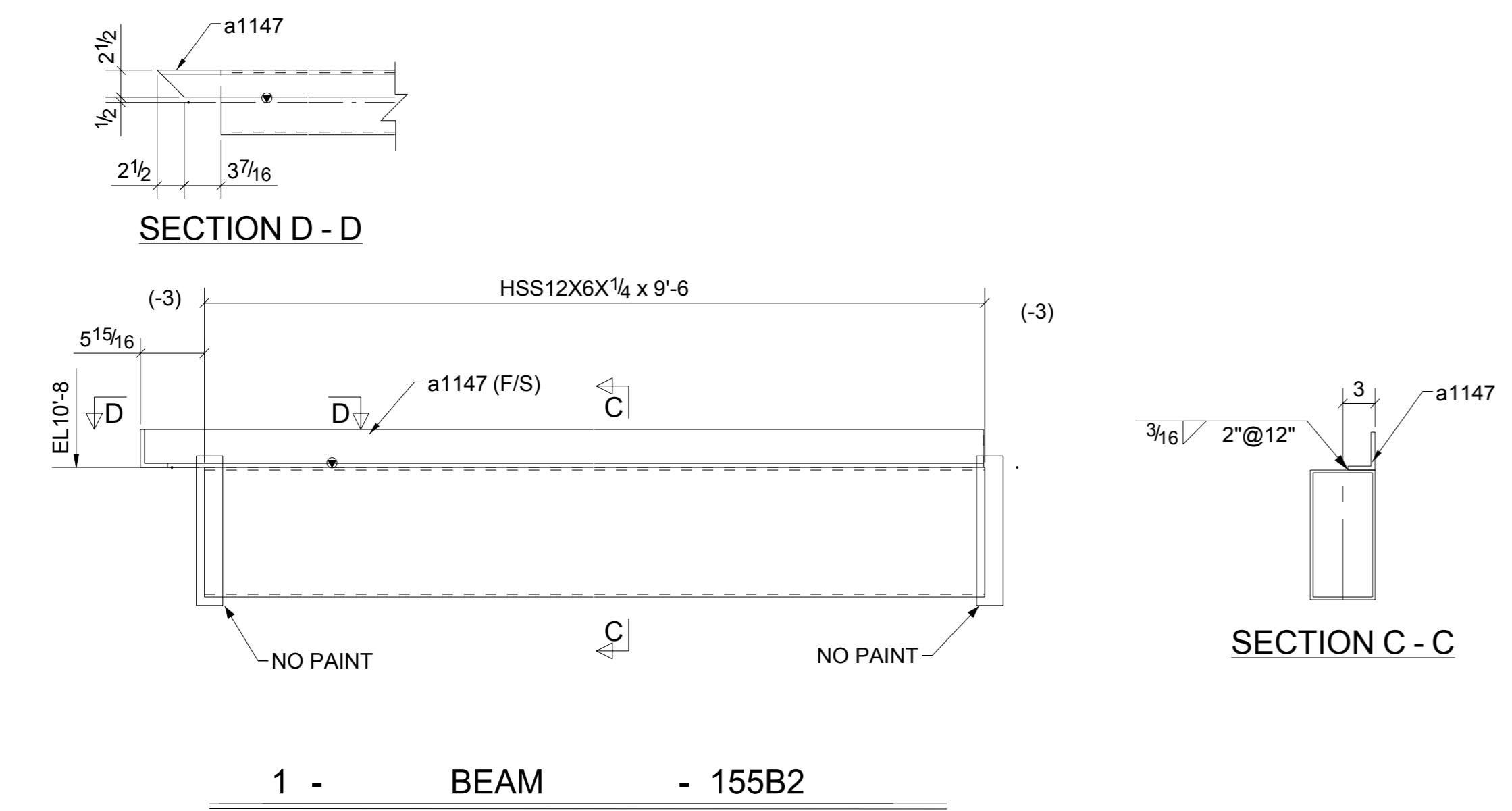
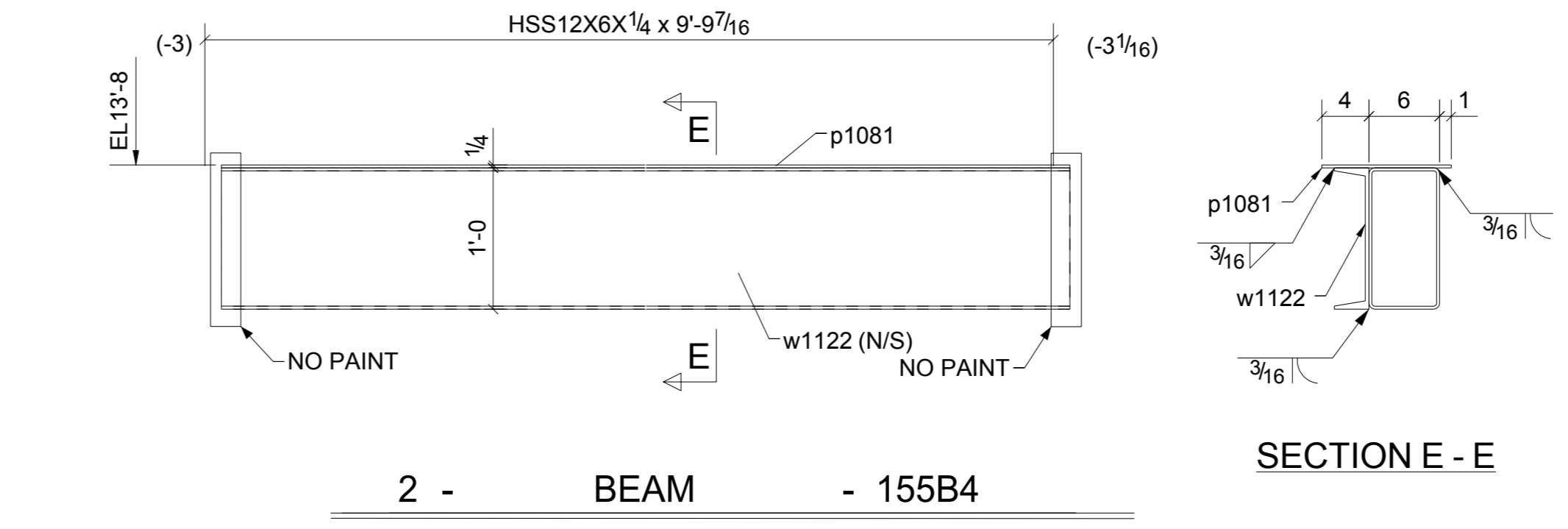
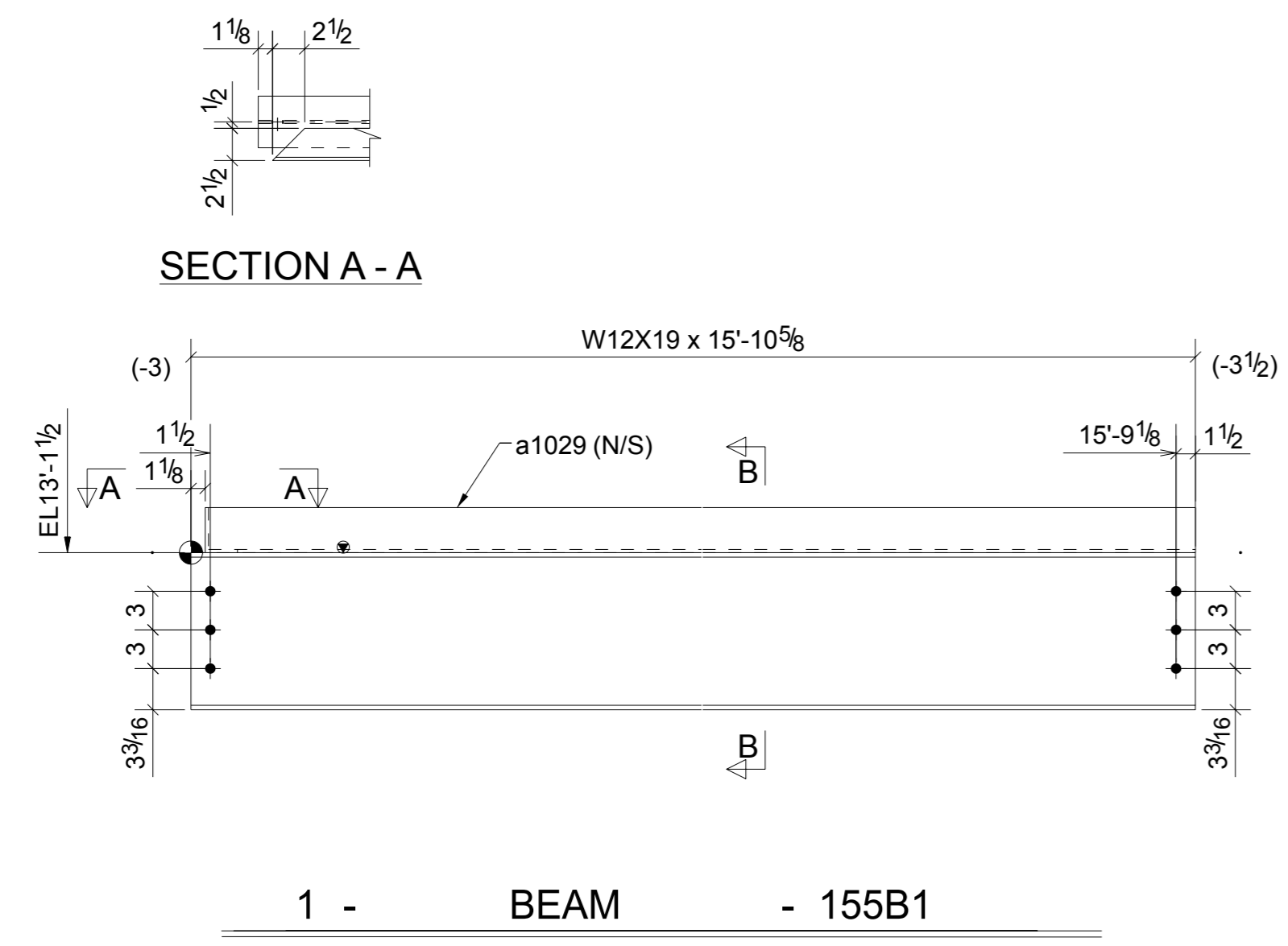


**BILL OF MATERIAL**

SHIP MARK	PIECE MARK	QTY	DESCRIPTION	LENGTH	REMARKS
155B1		1	W12X19	15'-10 5/8"	A92
	a1029	1	L3-1/2X2-1/2X1/4	15'-9 1/2"	A36
155B2		1	HSS12X6X1/4	9'-6"	A500-GR.B
	a1147	1	L3-1/2X2-1/2X3/8	9'-11 13/16"	A36
155B3		2	HSS6X6X1/4	9'-9 7/16"	A500-GR.B
155B4		2	HSS12X6X1/4	9'-9 7/16"	A500-GR.B
	p1081	2	FL1/4"X11"	9'-9 7/16"	A36
	w1122	2	C12X20.7	9'-9 7/16"	A36
155B5		1	HSS12X6X1/4	17'-9 15/16"	A500-GR.B
	a1054	1	L4X4X3/8	17'-9"	A36
	a1149	1	L3-1/2X2-1/2X3/8	18'-9 13/16"	A36
	p1049	3	PL1/4"X3 5/8"	0'-3 5/8"	A36
155B6		1	HSS12X6X1/4	17'-9 15/16"	A500-GR.B
	a1054	1	L4X4X3/8	17'-9"	A36
	p1017	1	PL3/8"X15"	17'-9 15/16"	A36
	p1049	3	PL1/4"X3 5/8"	0'-3 5/8"	A36



▼ DENOTES MARK END

SHOP NOTES	REVISIONS	CLIENT NAME
HOLES- 13/16" U.N.O. PAINT- ONE SC STD PRIMER SURFACE PREP. - SSPC-SP2	12/07/11	
WELD RODS- E70XX MATERIAL A36 (U.N.O) ALL "W" SHAPES A992 TUBE A500 GR B		JOB NAME : CUSTOMER : MADE BY : _____ DATE : _____ ORD. NO. : _____ CHK'D BY : _____ DATE : _____ DWG. NO. : _____