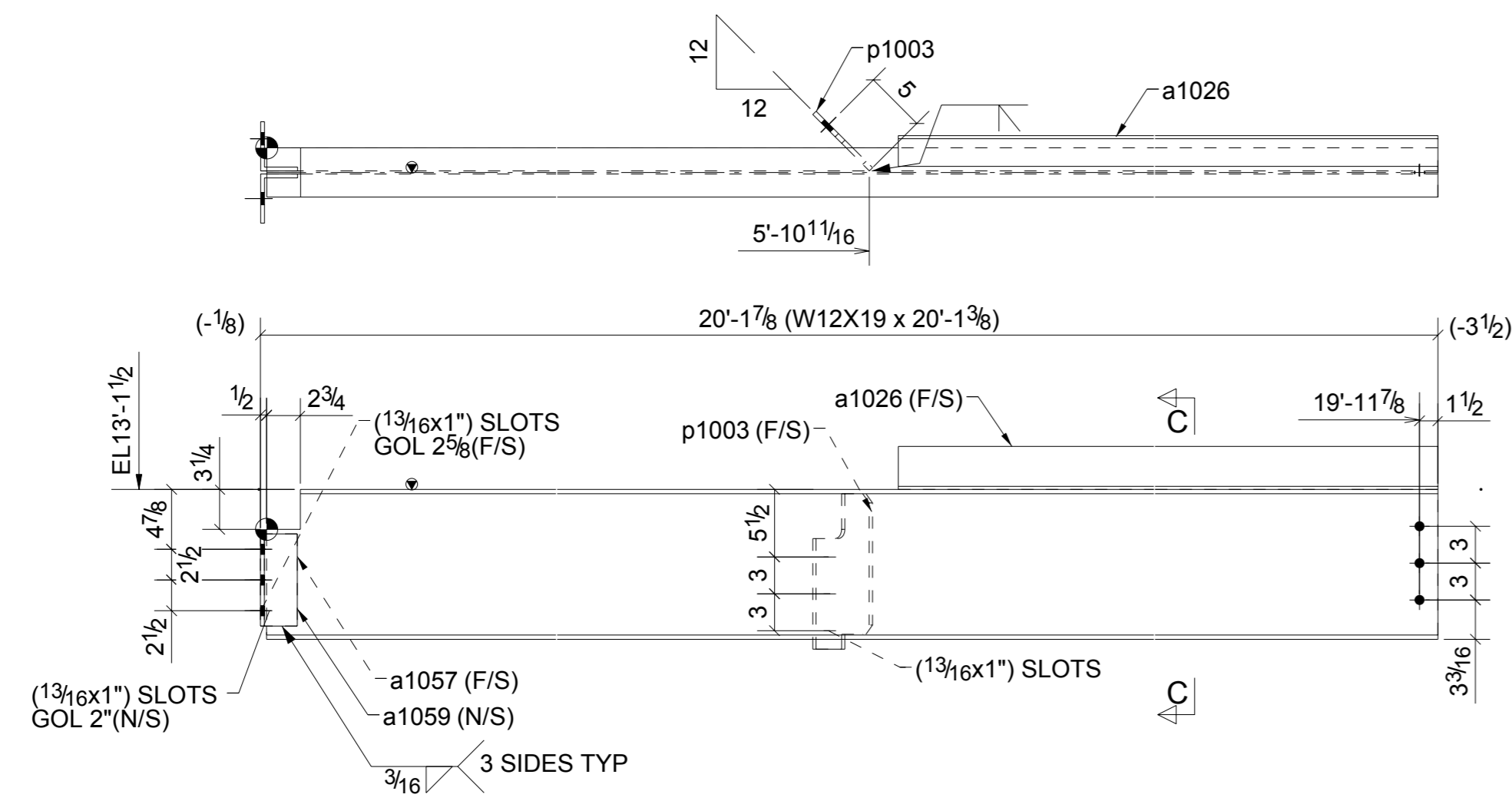
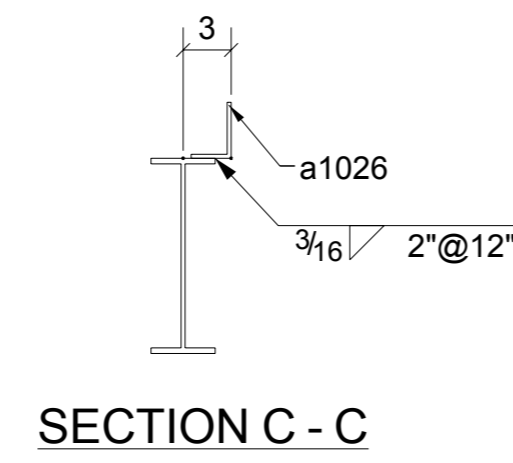


**BILL OF MATERIAL**

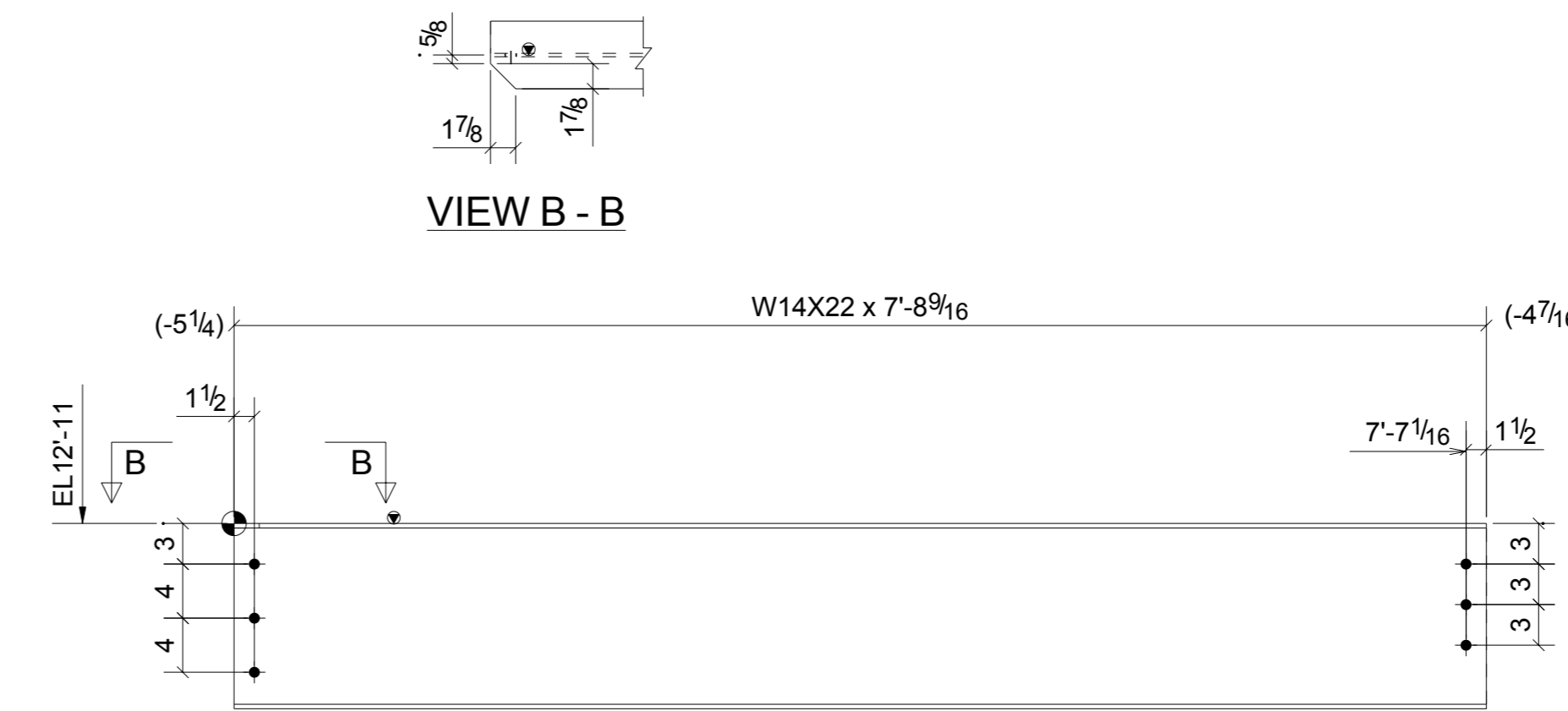
SHIP MARK	PIECE MARK	QTY	DESCRIPTION	LENGTH	REMARKS
157B1		1	W12X19	20'-1 3/8"	A992
	a1026	1	L3-1/2X2-1/2X1/4	14'-0 5/16"	A36
	a1057	1	L4X3X5/16	0'-7 1/2"	A36
	a1059	1	L4X3X5/16	0'-7 1/2"	A36
	p1003	1	FL3/8"X6 1/2"	1'-0 5/8"	A36
157B2		1	W24X68	31'-5 1/8"	A992
	w1157	2	HSS2-1/2X2-1/2X1/4	0'-8"	A500-GR B
157B3		1	W16X31	15'-7 1/4"	A992
157B4		1	W14X22	7'-8 9/16"	A992
157B5		1	W12X19	19'-10 1/2"	A992
	a1028	1	L3-1/2X2-1/2X1/4	19'-10 1/2"	A36



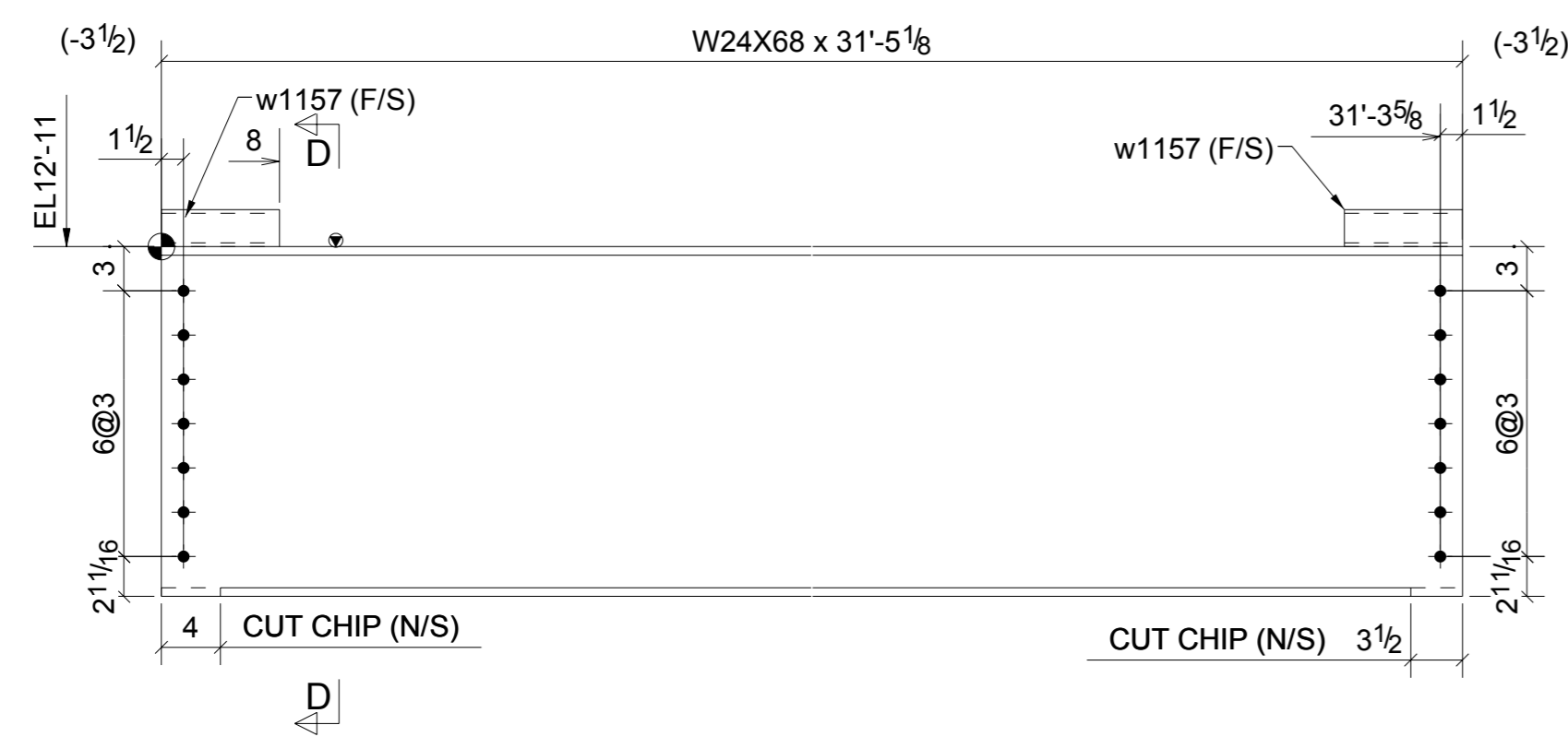
1 - BEAM - 157B1



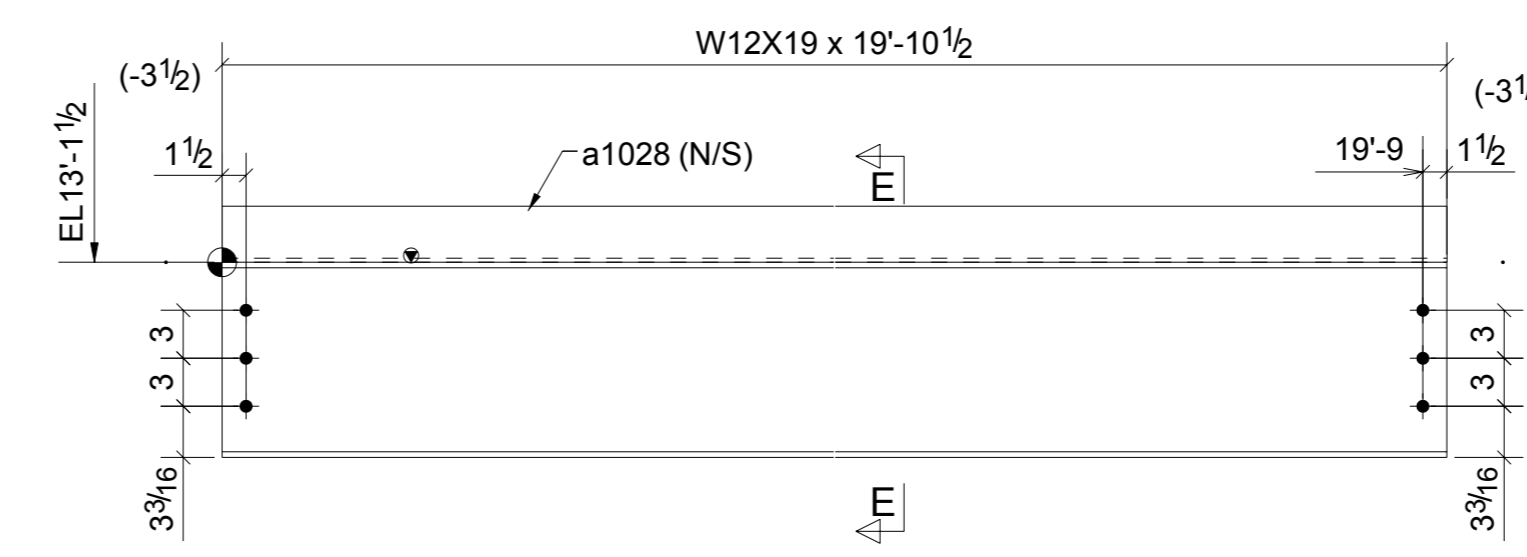
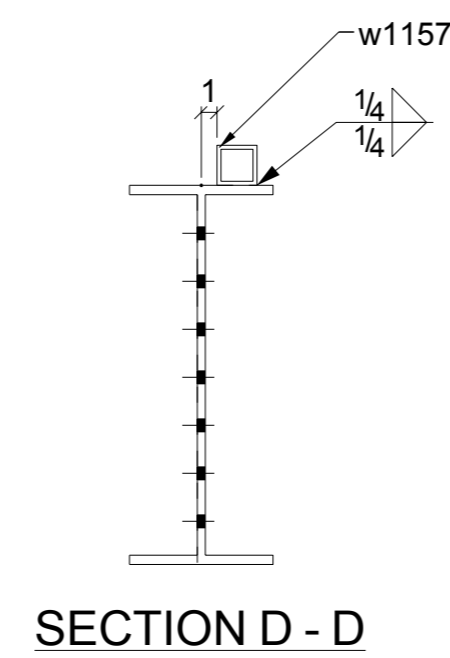
VIEW B - B



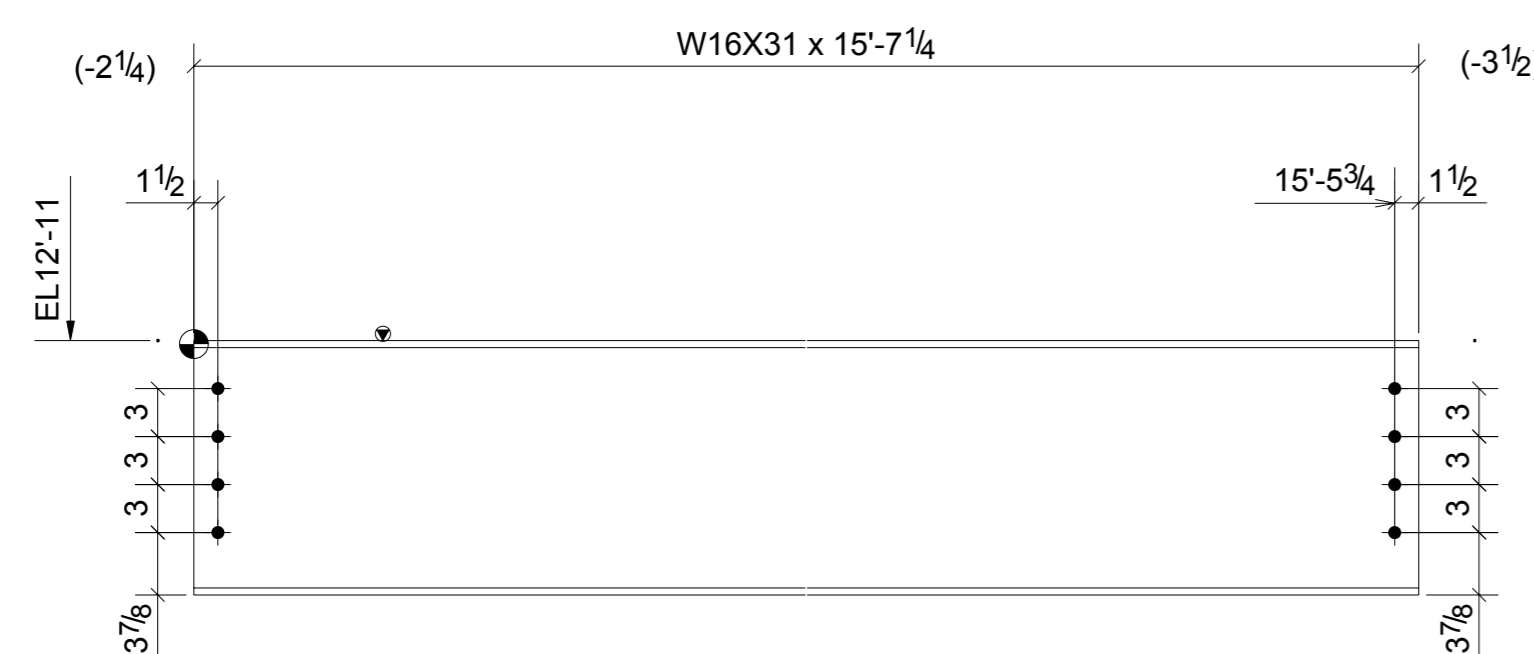
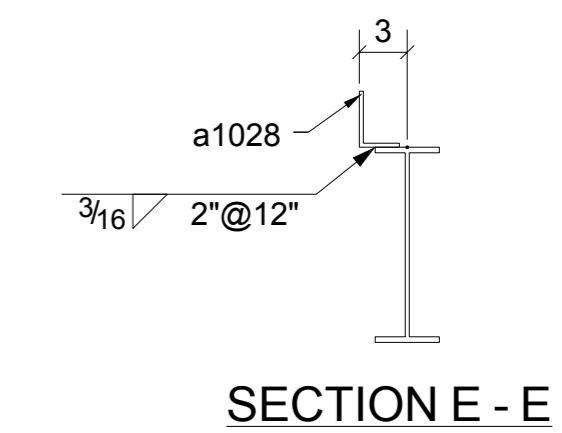
1 - BEAM - 157B4



1 - BEAM - 157B2



1 - BEAM - 157B5



1 - BEAM - 157B3

▼ DENOTES MARK END

SHOP NOTES	REVISIONS	CLIENT NAME
HOLES- 13/16" U.N.O. PAINT- ONE SC STD PRIMER SURFACE PREP. - SSPC-SP2	12/07/11	
WELD RODS- E70XX MATERIAL A36 (U.N.O) ALL 'W' SHAPES A992 TUBE A500 GR B		JOB NAME : _____ CUSTOMER : _____ MADE BY : _____ DATE : _____ ORD. NO. : _____ CHK'D BY : _____ DATE : _____ DWG. NO. : _____